

SWF



HALONG



● 适用场合

● 产品特点

Mixed flow impeller

Mixed flow impeller: large air flow, high pressure, high efficiency
Under the same condition, the air volume is larger than that of the centrifugal fan, the pressure is higher than the axial flow fan, and the high efficiency area is wide, which effectively avoid the performance degradation caused by the sliding of the working point;

Wide application

Uses: ordinary exhaust, pressurized air

Impeller

Steel blade, continuous welding, high strength;
The utility model is used for positioning, which ensures the high concentricity of the blade and the hub;
Each impeller has been dynamic balance testing,

Effectively extend the motor life, reduce noise;

Small volume

The utility model has the advantages of compact structure, small space occupation, strong adaptability, and various

Easy maintenance

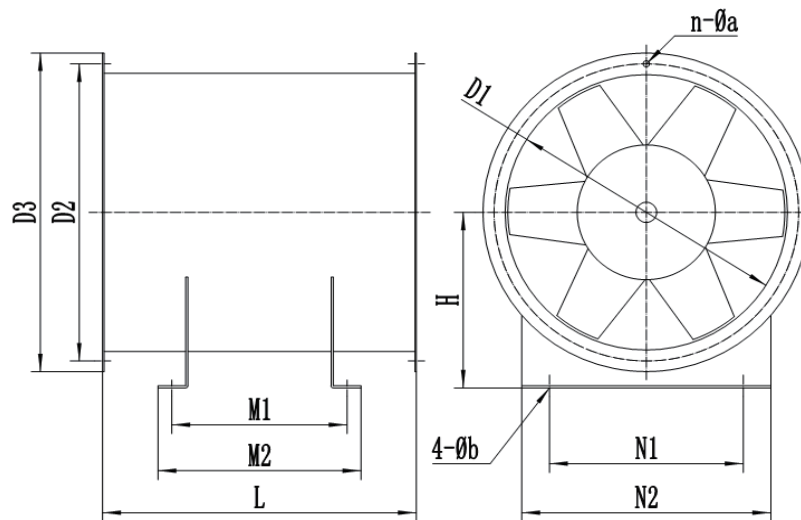
Maintenance is convenient: reduce maintenance workload, reduce operating costs
Direct drive, no wearing parts, maintenance free;
High reliability, long life design;
Integrally molded flange of air pipe is simple and convenient;
Internal wiring has been led from the motor to the machine outside the junction box;

Naming instructions

● 产品概述

混流叶轮：风量大，压力高、效率高，同等条件下，风量比离心风机大，压力比轴流风机高；高效区宽，有效避免因工作点滑动导致的性能下降；

SWF外形尺寸安装图



SWF混流式通风机产品外形尺寸

风机型号	功率	D1	D2	D3	L	M1	M2	N1	N2	n-Φa	b	H
SWF-2.5A	0.75kW-2P	Φ260	Φ290	Φ320	350	200	240	150	200	8-Φ8.5	Φ12	185
	0.18kW-4P				300							
	0.09kW-6P				300							
SWF-3A	2.2kW-2P	Φ310	Φ340	Φ370	400	220	260	180	240	8-Φ10	Φ12	215
	0.25kW-4P				320							
	0.12kW-6P				320							
SWF-3.5A	3.0kW-2P	Φ360	Φ390	Φ420	440	240	280	220	280	8-Φ10	Φ12	245
	0.25kW-4P				340							
	0.18kW-6P				340							
SWF-4A	4.0kW-2P	Φ410	Φ450	Φ485	500	300	340	260	320	8-Φ10	Φ12	270
	0.37kW-4P				400							
	0.25kW-6P				400							
SWF-4.5A	5.5kW-2P	Φ460	Φ500	Φ535	600	340	380	300	360	8-Φ10	Φ12	295
	0.55kW-4P				440							
	0.25kW-6P				440							
SWF-5A	5.5kW-2P	Φ510	Φ550	Φ590	600	340	390	320	400	8-Φ12	Φ15	325
	1.1kW-4P				440							
	0.37kW-6P				440							
SWF-5.5A	7.5kW-2P	Φ560	Φ600	Φ640	600	340	390	360	440	8-Φ12	Φ15	350
	1.5kW-4P				460							
	0.55kW-6P				460							
SWF-6A	7.5kW-2P	Φ610	Φ650	Φ690	620	400	450	400	500	10-Φ12	Φ15	375
	1.5kW-4P				520							
	0.75kW-6P				520							
SWF-6.5A	7.5kW-4P	Φ660	Φ700	Φ740	620	400	450	400	500	10-Φ12	Φ15	400
	2.2kW-4P				540							
	0.75kW-6P				540							
	8kW-4P/2.8kW-6P				540							
	2.2kW-4P/0.7kW-6P				700							
SWF-7A	11kW-4P	Φ710	Φ750	Φ790	800	450	500	500	600	10-Φ12	Φ15	425
	3.0kW-4P				560							
	1.1kW-6P				560							
	12kW-4P/4kW-6P				800							
	3.2kW-4P/1.1kW-6P				560							
SWF-7.5A	11kW-4P	Φ760	Φ800	Φ840	800	450	500	500	600	10-Φ12	Φ15	450
	4.0kW-4P				560							
	1.5kW-6P				560							
	12kW-4P/4kW-6P				800							
SWF-8A	4.7kW-4P/1.5kW-6P	Φ810	Φ850	Φ890	680	500	550	550	650	12-Φ12	Φ15	485
	15kW-4P				820							
	4.0kW-6P				660							
	1.5kW-8P				660							
SWF-9A	12kW-4P/4kW-6P	Φ910	Φ950	Φ990	820	580	640	600	700	12-Φ12	Φ19	535
	18.5kW-4P				900							
	5.5kW-6P				740							
	2.2kW-8P				740							
	18.5kW-4P/6.2kW-6P				900							
SWF-10A	6.5kW-6P/3.2kW-8P	Φ1,010	Φ1,050	Φ1,090	800	580	640	700	800	12-Φ12	Φ19	600
	18.5kW-4P				950							
	7.5kW-6P				850							
	3.0kW-8P				850							
	24kW-4P/8.5kW-6P				1000							
SWF-11A	9kW-6P/4.5kW-8P	Φ1,110	Φ1,170	Φ1,210	950	580	640	800	900	16-Φ12	Φ19	650
	22kW-6P				900							
	11kW-6P				900							
	4.0kW-8P				900							
SWF-12A	24kW-4P/8.5kW-6P	Φ1,210	Φ1,270	Φ1,310	1000	730	800	850	950	16-Φ12	Φ19	700
	30kW-6P				1150							
	22kW-6P				1050							
	15kW-8P				1050							
SWF-13A	22kW-6P/11kW-8P	Φ1,310	Φ1,370	Φ1,410	1050	730	800	950	1050	16-Φ15	Φ19	750
	37kW-6P				1200							
	30kW-6P				1100							
	15kW-8P				1100							
SWF-14A	30kW-6P/15kW-8P	Φ1,410	Φ1,470	Φ1,530	1200	730	800	1000	1100	16-Φ15	Φ19	800
	45kW-6P				1300							
	37kW-6P				1200							
	18.5kW-8P				1100							
	37kW-6P/18kW-8P				1300							

SWF型混流风机参数表

风机型号	转速	工况点	风量	全压	单速电机功率	双速电机功率	噪音	管道型
Model	Speed	Point	Volume	Total Pressure	Power (SS)	Power (DS)	Sound	Ducted
机号	RPM	工况点	m ³ /h	Pa	kW	kW	dBA	Kg
机号	转速	工况点	风量	全压	电机型号	功率	噪声	重量
SWF-2.5A	2900	1	2664	358	Y801-2	0.75	72	20
		2	2253	426				
		3	1932	482				
		4	1684	543				
		5	1532	634				
	1450	1	1362	96	Y632-4	0.18	64	13
		2	1232	117				
		3	1020	126				
		4	850	147				
		5	743	166				
	960	1	902	54	Y632-6	0.09	58	12
		2	746	66				
		3	675	78				
		4	563	83				
		5	492	98				
SWF-3A	2900	1	4652	512	Y90L-2	2.2	73	41
		2	4410	562				
		3	4018	691				
		4	3605	816				
		5	3212	883				
	1450	1	2312	121	Y711-4	0.25	66	19
		2	2205	138				
		3	2009	184				
		4	1803	216				
		5	1606	236				
	960	1	1512	67	Y632-6	0.12	60	16
		2	1436	93				
		3	1320	112				
		4	1164	127				
		5	1000	139				
SWF-3.5A	2900	1	5745	564	Y100L-2	3	74	58
		2	5317	623				
		3	4927	741				
		4	4542	876				
		5	4127	986				
	1450	1	3320	125	Y711-4	0.25	68	28
		2	3082	141				
		3	2876	174				
		4	2447	216				
		5	2130	257				
	960	1	1938	76	Y711-6	0.18	62	21
		2	1743	89				
		3	1592	103				
		4	1380	127				
		5	1234	146				
SWF-4A	2900	1	7228	654	Y112M-2	4	78	80
		2	6801	715				
		3	6221	883				
		4	5688	1107				
		5	5242	1248				
	1450	1	4512	128	Y712-4	0.37	71	35
		2	4302	143				
		3	3636	175				
		4	3053	212				
		5	2765	285				
	960	1	2642	86	Y712-6	0.25	64	34
		2	2486	107				
		3	2237	129				
		4	1985	145				
		5	1743	156				

SWF型混流风机参数表

风机型号	转速	工况点	风量	全压	单速电机功率	双速电机功率	噪音	管道型
Model	Speed	Point	Volume	Total Pressure	Power (SS)	Power (DS)	Sound	Ducted
	RPM		m ³ /h	Pa	kW	kW	dBA	Kg
机号	转速	工况点	风量	全压	电机型号	功率	噪声	重量
SWF-4.5A	2900	1	9169	672	Y132S1	5.5	80	100
		2	8731	753				
		3	8159	928				
		4	7561	1187				
		5	7124	1298				
	1450	1	4728	182	Y801-4	0.55	73	46
		2	4552	207				
		3	4040	216				
		4	3392	265				
		5	3160	306				
	960	1	3592	88	Y712-6	0.25	66	41
		2	3264	107				
		3	2892	132				
		4	2576	148				
		5	2240	162				
SWF-5A	2900	1	13110	801	Y132S1-2	5.5	83	111
		2	12410	859				
		3	11865	1048				
		4	11342	1212				
		5	9876	1316				
	1450	1	8652	196	Y90S-4	1.1	77	56
		2	7433	220				
		3	6664	278				
		4	5252	326				
		5	4896	382				
	960	1	5624	96	Y801-6	0.37	68	50
		2	4984	124				
		3	4322	136				
		4	3778	158				
		5	3215	182				
SWF-5.5A	2900	1	16820	824	Y132S2-2	7.5	84	115
		2	15764	936				
		3	14562	1128				
		4	13450	1229				
		5	12264	1338				
	1450	1	9126	258	Y90L-4	1.5	78	72
		2	8445	296				
		3	7938	328				
		4	7431	354				
		5	6925	385				
	960	1	6532	119	Y802-6	0.55	69	90
		2	5796	134				
		3	5257	148				
		4	4893	175				
		5	4265	206				
SWF-6A	2900	1	19230	836	Y132S2-2	7.5	85	62
		2	18220	962				
		3	17824	1143				
		4	17210	1256				
		5	15210	1365				
	1450	1	11625	165	Y90L-4	1.5	79	120
		2	10000	200				
		3	8900	262				
		4	8121	325				
		5	7560	382				
	960	1	8025	128	Y90S-6	0.75	70	75
		2	7129	142				
		3	6283	176				
		4	5567	205				
		5	4986	236				

SWF型混流风机参数表

风机型号	转速	工况点	风量	全压	单速电机功率	双速电机功率	噪音	管道型
Model	Speed	Point	Volume	Total Pressure	Power (SS)	Power (DS)	Sound	Ducted
	RPM		m ³ /h	Pa	kW	kW	dBA	Kg
机号	转速	工况点	风量	全压	电机型号	功率	噪声	重量
SWF-6.5A	1450	1	25124	524	Y132M-4	7.5	82	75
		2	23984	658				
		3	23044	832				
		4	21864	952				
		5	18672	1038				
	1450	1	15064	282	Y100L1-4	2.2	80	158
		2	13660	315				
		3	12255	350				
		4	10840	382				
		5	9424	418				
	960	1	10544	155	Y90S-6	0.75	71	69
		2	9562	178				
		3	8578	198				
		4	7588	215				
		5	7540	238				
SWF-7A	1450	1	31380	608	Y160M-4	11	84	195
		2	29880	765				
		3	28805	968				
		4	27330	1108				
		5	24820	1208				
	1450	1	18800	329	Y100L2-4	3	81	104
		2	17075	370				
		3	15319	404				
		4	13550	441				
		5	11780	470				
	960	1	13820	186	Y90L-6	1.1	74	150
		2	11952	202				
		3	10724	228				
		4	9485	257				
		5	8246	278				
SWF-7.5A	1450	1	30627	712	Y160M-4	11	87	84
		2	29012	893				
		3	27232	1052				
		4	25518	1183				
		5	23422	1236				
	1450	1	22538	378	Y112M-4	4	82	218
		2	20490	420				
		3	18382	465				
		4	16260	504				
		5	14136	542				
	960	1	15776	208	Y100L-6	1.5	76	124
		2	14343	231				
		3	12867	256				
		4	11382	278				
		5	9895	298				
SWF-8A	1450	1	37350	809	Y160L-4	15	90	94
		2	35380	992				
		3	33210	1186				
		4	31120	1234				
		5	28564	1305				
	960	1	25467	193	Y132M1-6	4	82	235
		2	22424	292				
		3	18636	382				
		4	17129	448				
		5	16269	516				
	720	1	19185	116	Y112M-8	1.5	75	130
		2	16818	175				
		3	13977	232				
		4	12846	272				
		5	11528	315				

SWF型混流风机参数表

SWF-9A	1450	1	46138	785	Y180M-4	18.5	92	303
		2	41590	946				
		3	39478	1165				
		4	37310	1213				
		5	33579	1343				
	960	1	34206	282	Y132M2-6	5.5	86	211
		2	32056	370				
		3	27174	430				
		4	24456	496				
		5	22011	564				
	720	1	25654	164	Y132S-8	2.2	78	171
		2	24042	215				
		3	20381	252				
		4	18342	288				
		5	16508	327				
SWF-10A	1450	1	51821	792	Y180M-4	18.5	93	415
		2	48152	998				
		3	46952	1168				
		4	45032	1225				
		5	40528	1378				
	960	1	44054	288	Y160M-6	7.5	86	270
		2	40598	329				
		3	36916	371				
		4	33224	428				
		5	29902	496				
	720	1	33041	167	Y132M-8	3	78	240
		2	30448	191				
		3	27687	215				
		4	24198	248				
		5	22427	288				
SWF-11A	1450	1	59521	806	Y180L-4	22	94	435
		2	56629	967				
		3	55080	1128				
		4	53530	1232				
		5	48177	1382				
	960	1	48729	310	Y160L-6	11	86	327
		2	46099	346				
		3	43572	376				
		4	39215	428				
		5	35294	516				
	720	1	36546	181	Y160M1-8	4	80	320
		2	34574	202				
		3	32679	218				
		4	29411	248				
		5	26470	300				
SWF-12A	960	1	83151	865	Y225M-6	30	96	675
		2	78660	974				
		3	73750	1153				
		4	66375	1334				
		5	60923	1396				
	960	1	71092	786	Y200L2-6	22	95	635
		2	68358	866				
		3	65158	1083				
		4	62058	1235				
		5	55852	1308				
	720	1	64292	429	Y200L-8	15	91	635
		2	60820	471				
		3	57226	498				
		4	51503	558				
		5	47534	625				
SWF-13A	960	1	94782	870	Y250M-6	37	97	775
		2	91117	964				
		3	86788	1194				
		4	82382	1356				
		5	74144	1435				
	960	1	87761	805	Y225M-6	30	95	735
		2	84386	892				
		3	80386	1106				
		4	76280	1256				
		5	68652	1329				
	720	1	71565	441	Y200L-8	15	91	685
		2	67702	482				
		3	63699	508				
		4	57329	568				
		5	51596	637				
SWF-14A	960	1	107518	916	Y280S-6	45	98	805
		2	102440	974				
		3	97210	1078				
		4	87489	1275				
		5	78740	1395				
	960	1	99554	849	Y250M-6	37	96	785
		2	94855	902				
		3	90010	998				
		4	81009	1181				
		5	72908	1292				
	720	1	84446	494	Y225S-8	18.5	92	725
		2	79888	540				
		3	75164	572				
		4	67678	642				
		5	60883	723				

● 安装说明 Installation instructions

SWF风机安装形式多样，可根据现场具体情况调整。管道型主要有以下安装形式：水平座装，水平吊装。SWF fan installed in various forms, can be adjusted according to the specific circumstances of the site. Pipe type mainly has the following installation form: horizontal seat, horizontal lifting.

● 技术规范 technical specifications

铭牌 Nameplate

每台风机都应带有金属铭牌，并铆接在设备的醒目部位，铭牌上应清晰的标明编号、型号、风量、风压、转速、功率、出厂日期等信息。Each fan should be with the metal plate, and riveting in striking parts of the device shall be marked on the nameplate, serial number, clear type, air volume and air pressure, speed, power, date and other information.

外壳

外壳应为冷轧钢板制成，其强度应保证风机在运输、装卸、运转中不变形。外壳焊缝应平整并打磨光滑。外壳整体应进行抗锈处理，在室外条件下不变色，不脱落。The shell should be made of cold rolled steel plate, the strength should ensure the fan in the transportation, loading and unloading, the operation does not deform. Shell welds should be smooth and smooth. The whole shell should be anti rust treatment, under the outdoor conditions do not change color, do not fall off.

叶轮 Impeller

叶轮应为钢制，叶片应采用专用工具定位，精密焊接，运行过程中不得发生变形。The impeller shall be of steel, the blade shall be made of special tools and precision Welding, no deformation during operation.

风机类型 Fan type

SWF混流风机应采用钢制混流叶轮。叶轮应当经过静态和动态平衡测试，达到G2.5平衡等级。SWF mixed flow fan should adopt steel mixed flow impeller. Yelunying When static and dynamic balance test, G2.5 balance Grade.

电机 Electric machinery

电机应牢固的安装于电机支架上，运转中不得出现明显振动。电机应采用优质品牌，防护等级IP55。Motor should be firmly installed in the motor bracket, the operation can not appear obvious vibration. The motor should adopt the high quality brand, the protection grade IP55.